

709 Series Three-Way Valves

Fractional Flow Control Valves

CRN Registration Number Available

FRACTIONAL FLOW CONTROL VALVES

The Mark 709 is a lightweight control valve for use as a mixing valve in low flow process applications. Featuring a three-way body design, it is constructed with two inlets to blend two separate flow streams into a common outlet, creating a third fluid.

Features:

- For low flow process applications requiring a three way body for mixing two separate flow sources into one common line
- Compact, lightweight design for precise control in pilot plants, R & D facilities, and low flow process applications
- With multiple spring actuators in a choice of sizes for differential pressures up to 1460 psi (100 bar)

SPECIFICATIONS

Sizes: 1/2" & 3/4" (DN15 & DN20)

End Connections

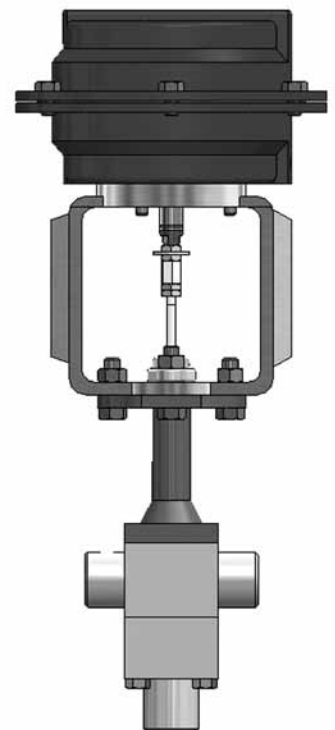
- Threaded – NPT
- Others upon request

Actuator

- 1/2" (DN15) – standard: 14M (14in²) multi-spring
- 3/4" (DN20) – 1/2" (DN15) – standard: 14M (14in²) multi-spring; optional: 35M (35in²) multi-spring

Body/Bonnet Materials

- Carbon Steel
- Stainless Steel
- Hastelloy C
- Hastelloy B
- Alloy 20
- Monel
- Titanium



MK709 SERIES THREE WAY SPECIFICATIONS (CON'T)
Trim Material

- Standard trim – 316SS stem, plug & seat

Actuator Material: Aluminum

Diaphragm Material:

- 14M Actuator: Nylon/Nitrile
- Optional 35M Actuator: Buna-N fabric reinforced (3/4" only)

Stem Packing Material: PTFE

Bonnet/Body Seal Material: PTFE

Service: Air, gas, chemicals, oil, water

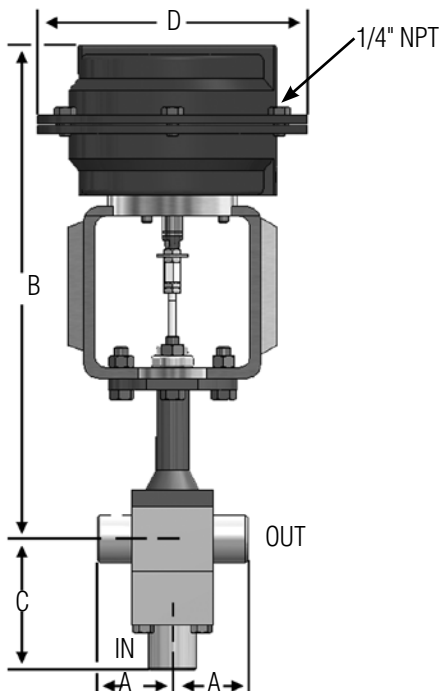
Shutoff

- Standard – Cv's 0.05 and greater: ANSI Class III (Class IV optional); Cv's 0.02 and lower: ANSI Class VI
- Optional – Cv's 0.05 and greater: ANSI Class VI (with PEEK seats)

Ranges: 3-15 (0,2-1,0) or 6-30 (0,4-2,1) psi (bar)

Valve Action

- Direct (ATC)
- Reverse (ATO)


Flow Characteristics:

- Linear/linear
- Equal percentage/equal percentage
- Others upon request

Cv (Kv) Selection

1/2" (DN15)	2.0 (1,7)	1.5 (1,3)	1.25(1,1)	
3/4" (DN20)	4.0 (3,4)	3.5 (3,0)	3.0 (2,6)	2.5 (2,2)

Maximum Allowable ΔP Ratings

Cv (Kv)	ATO 3-15	ATO 6-30	ATC3-15 @ 20 psi (1,4bar)	ATC 6-30 @ 40 psi (2,8 bar)
14M Actuator				
2.5 - 4.0 (2,2-3,4)	264 (18)	532 (37)	432 (30)	864 (60)
1.25 - 2.0 (1,1-1,7)	400 (28)	800 (55)	650 (45)	1300 (90)
35M Actuator				
2.5 - 4.0 (2,2-3,4)	440 (30)	880 (61)	707 (49)	1460 (101)

Pressure/Temperature Rating (PSI/BAR)

Temp °F (°C)	1/2" (DN15)		3/4" (DN20)	
	CS	SS	CS	SS
100 (38)	5000 (345)	5000 (345)	4000 (276)	4000 (276)
200 (93)	4299 (296)	4555 (314)	3439 (237)	3644 (251)
300 (149)	3882 (268)	4426 (305)	3106 (214)	3541 (244)
400 (204)	3569 (246)	4278 (295)	2855 (197)	3422 (236)
500 (260)	3319 (229)	4042 (279)	2655 (183)	3234 (223)

Mark 709 Series Three-Way Ends

VALVE SIZE	ACTUATOR	DIMENSIONS, INCHES				WEIGHT LBS
		A	B	C	D	
1/2"	14M	1.8	11.6	2.7	6.3	9.5
3/4"	14M	2.2	12.0	3.3	6.3	11.5
	35M	2.2	13.8	3.3	9.5	20.5

Mark 709 Series Three-Way Ends, Metric

VALVE SIZE	ACTUATOR	DIMENSIONS, MM				WEIGHT KGS
		A	B	C	D	
DN15	14M	46	295	69	160	4,3
DN20	14M	56	305	84	160	5,2
DN20	35M	56	351	84	241	9,3

MK709 SERIES THREE WAY ORDERING SCHEMATIC

Model No.	Size	Body Mat'l	1	2	3	4	5	6	7	8	9	10	11	12	13	14	15	16

MODEL	
709	Standard
709TP	with Top Mount Positioner (14M Actuator only)

SIZE	
050	1/2"
075	3/4"

BODY MATERIAL	
CS	Carbon Steel (A105)
ST	SST Barstock (316)

1 & 2	END CONNECTIONS
PT	NPT
BT	BSPT
BP	BSPB
SW	FSW
F5	150# FE
F3	300# FE
TN	Integral Tube Nuts
ZZ	Non-Standard

3 & 4	TRIM
T6	316SS/Teflon Packing
ZZ	Non-Standard

5 & 6	PLUG SEAT	
	Material of Stem/Plug/Seat	Cv
A	Standard - Linear Hard	1.25
B	Standard =% Hard	1.5
		C 2.0
		D 2.5
		E 3.0
		F 3.5
		G 4.0
		H 1.0
ZZ	Non-Standard	

7&8	RANGE		
	RANGE	ACTUATOR	
A	3-15 DIR	4	14M
B	3-15 REV	3	35M
C	3-9 DIR		
D	3-9 REV		
E	9-15 DIR		
F	9-15 REV		
G	6-30 DIR		
H	6-30 REV		
ZZ	Non-standard		

9&10	DIAPHRAGM		
	MATERIAL	SIZE	
T	Nylon/Nitrile	4	14M
B	Buna-N	3	35M
ZZ	Non-standard		

11&12	ACTUATOR		
	TYPE	SIZE	
D	Air-to-Close	4	14M
R	Air-to-Open	3	35M
ZZ	Non-standard		

13 & 14	ACCESSORIES	#1
00	None	
AR	Air Regulator	
G2	Two Gages on TMP	
S6	316SS Bolting	
SH	304SS Strain Hardened	
S2	3-way Solenoid Energize to Open	
S3	3-way Solenoid Energize to Close	
ZZ	Non-standard	

15	ACTION
D	Air-to-close
R	Air-to-open

16	ACCESSORIES	#2
0	None	
4	I/P 14M Act.	
3	I/P 35M Act.	