

JRH Series

Gas Pressure Reducing Valves

GAS PRESSURE REDUCING VALVES

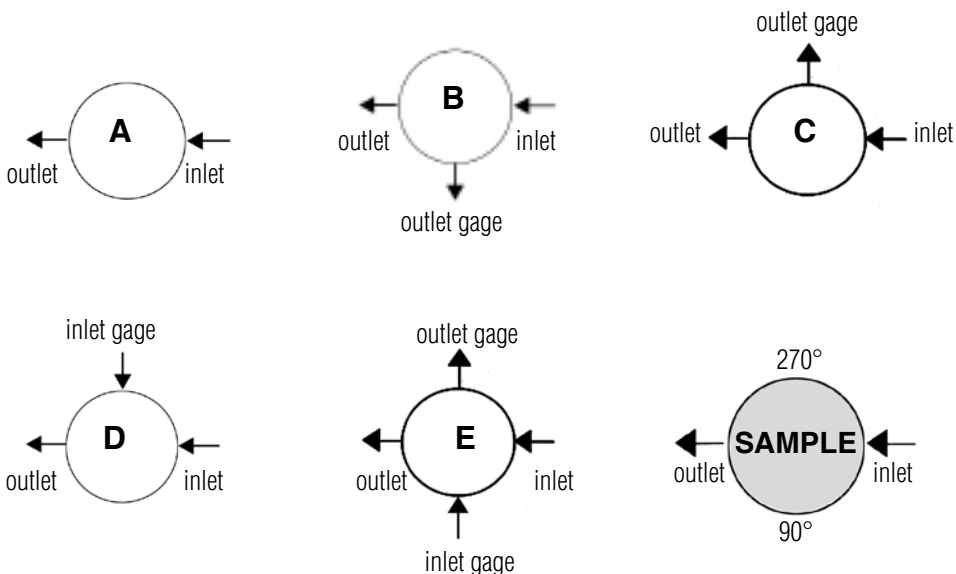
The LowFlow JRH Series line of high pressure regulators have the ability to handle very high pressures and low flows. These valves are typically used in research and sampling systems for general, corrosive and specialty gas service, and for non-cavitating liquids. Typical applications include gas chromatography and flame ionization detectors, as well as other industrial controls.

Features:

- Top entry design facilitates in-line cleaning and maintenance
- Barstock construction guarantees material integrity and surface finish
- High flow rate coupled with high rangeability reduces need for reduced trim sizes
- Optimized internal volume
- Proprietary Jorlon diaphragm material provides exceptionally long life
- Soft seat material for ANSI Class VI shutoff



JRH SERIES FLOW CONFIGURATIONS



* Gage ports are 1/4" FNPT (consult factory for required alternative); Consult factory for other porting options

JRH SERIES SPECIFICATIONS

Line Size: 3/8" & 1/2" (DN10 & DN15)

End Connections

- SWE
- NPT

Soft Seat Materials for ANSI Class VI Shut-off

- PEEK to +350°F (+177°C)

Body Material

- 316L SST – Standard
- Contact factory for other body/trim/seat materials

Diaphragm Material: Jorlon

Maximum Inlet Pressure: 4000 psig (276 bar) @ -20°F (-28,9°C)

Pressure at Maximum Temperature: 2165 psi @ 350°F (149 bar @ 177°C) with PEEK seat

Maximum Pressure Drop: 3000 psi (207 bar)

Spring Ranges

- 2 – 10 psi (0,14 – 0,69 bar)
- 5 – 20 psi (0,34 – 1,4 bar)
- 15 – 100 psi (1,0 – 6,9 bar)
- 50 – 175 psi (3,5 – 12,1 bar)
- 75 – 450 psi (5,2 – 31 bar)

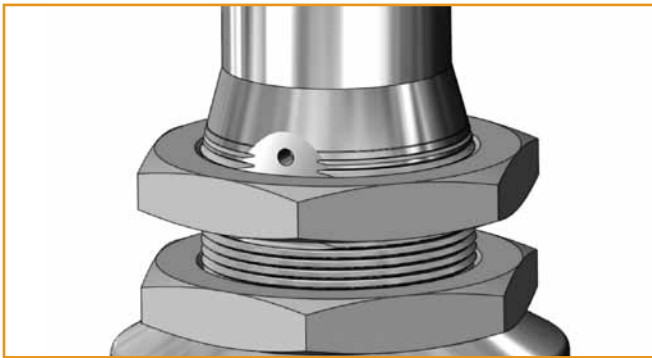
Flow Characteristics

- Cv 0.8

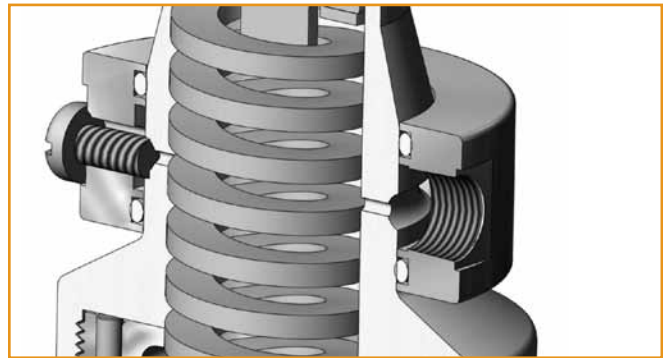
Options

- Panel Mounting
- Captured Vent
- Self Relieving

OPTIONS & DEFINITIONS



Panel Mount Option



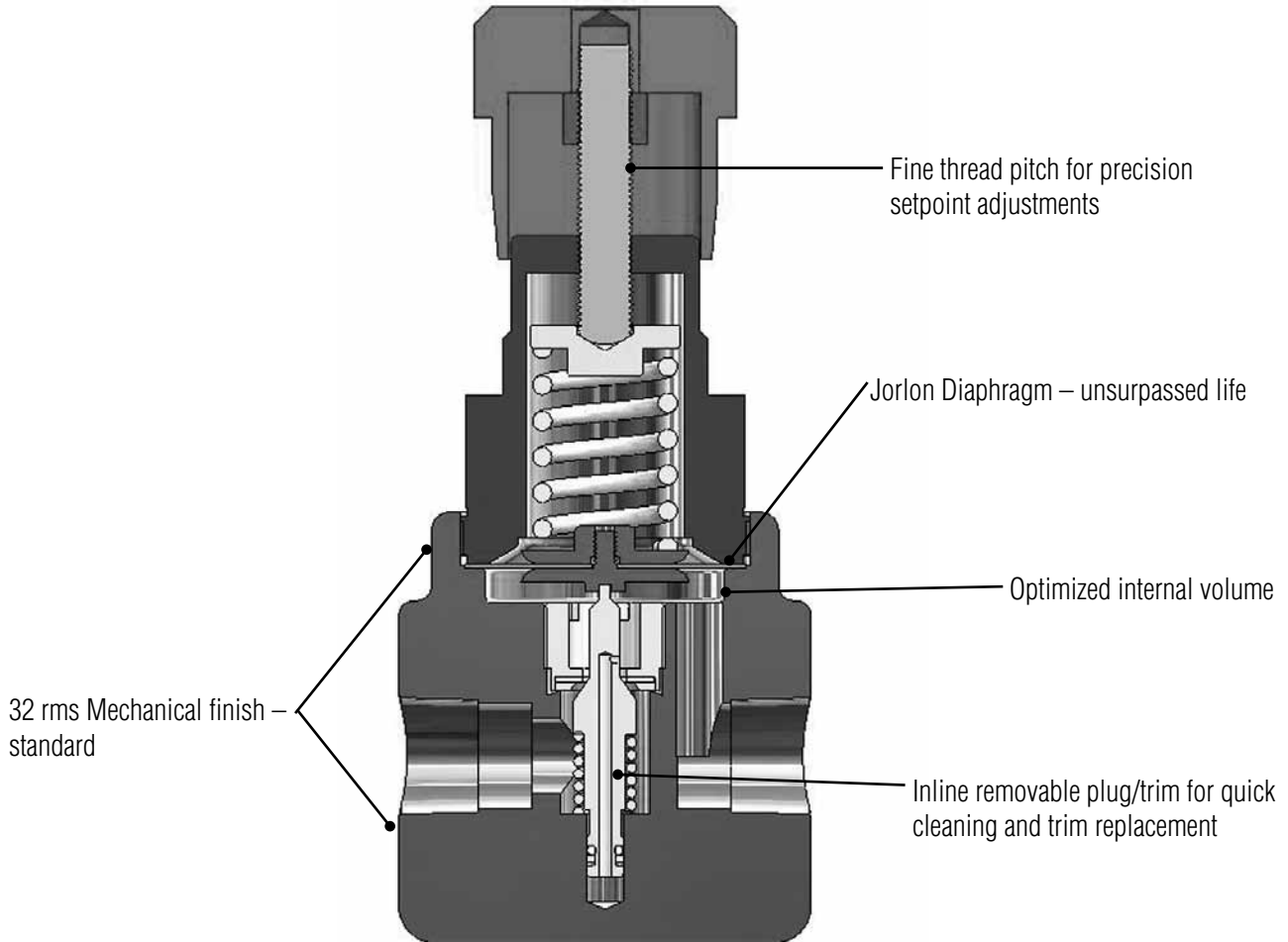
Captured Vent Option (1/8" NPT)

Captured Vent The captured vent design is for maximum safety for the user when handling toxic or hazardous media. It features a 1/8" FNPT port located on the spring housing. The user can easily tube this vent to a safe location. This option can be incorporated into a self-relieving regulator that provides an additional port to permit the safe expulsion of hazardous media.

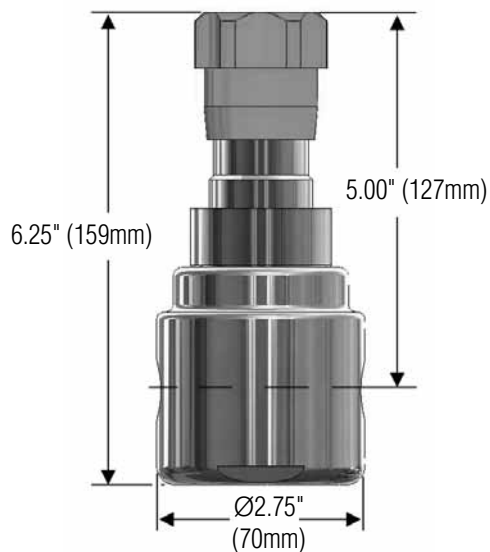
Panel Mount The panel mount feature requires a panel cut out of 1-1/2", complete with a threaded spring housing, and a panel mount ring to secure the regulator.

Self Relieving The self relieving option is used for internal venting of downstream pressure. From a practical standpoint, it allows for immediate reduction in pressure setpoints and automatically alleviates regulator lock up.

JRH SERIES FEATURES & BENEFITS



JRH SERIES DIMENSIONS



Weight 4.8 Lbs (2,2 Kgs)

JRH SERIES ORDERING SCHEMATIC

Model	Size	Material	1 & 2	3 & 4	5 & 6	7 & 8	9 & 10	11 & 12	13 & 14	15	16	17
—	—	—	—	—	—	—	—	—	—	—	—	—

Model	
JRH	Pressure Reducing Valve

Size	
038	3/8"
050	1/2"

Material	
6L	Stainless Steel 316L

1 & 2		Body Feature	
End Connection		Port Configuration	
B	FNPT 3/8"	A	Port "A"
C	FNPT 1/2"	B	Port "B"
		C	Port "C"
		D	Port "D"
		E	Port "E"
ZZ	Non-Standard		

3 & 4		Trim	
4S		Cv 0.8	
4R		Cv 0.8 Self-Relieving	
ZZ		Non-Standard	

5 & 6		Seat Material	
P4		PEEK CV 0.8	

7 & 8		Range Spring/Outlet Pressure	
E1		2- 10 psi	
E2		5 - 20 psi	
E3		15 - 100 psi	
E4		50 - 175 psi	
E5		75 - 450 psi	

9 & 10		Diaphragm Material	
JL		Jorlon	
ZZ		Non-Standard	

11 & 12		Actuator	
		Ranges E1 thru E5	
SK		Standard	
CV		Captured Vent	
PM		Panel Mount	
ZZ		Non-Standard	

13 & 14		Inlet Gauge	
AA		0 - 30 psig	
BB		0 - 60 psig/bar (dual)	
CC		0 - 100 psig/bar (dual)	
DD		0 - 160 psig/bar (dual)	
EE		0 - 200 psig/bar (dual)	
FF		0 - 300 psig/bar (dual)	
GG		0 - 400 psig/bar (dual)	
HH		0 - 600 psig/bar (dual)	
JJ		0 - 1000 psi/bar (dual)	
KK		0 - 2000 psi/bar (dual)	
LL		0 - 3000 psi/bar (dual)	
MM		0 - 5000 psi/bar (dual)	
NN		None	
ZZ		Non-Standard	

15		Outlet Gauge	
A		0 - 30 psig	
B		0 - 60 psig/bar (dual)	
C		0 - 100 psig/bar (dual)	
D		0 - 160 psig/bar (dual)	
E		0 - 200 psig/bar (dual)	
F		0 - 300 psig/bar (dual)	
G		0 - 400 psig/bar (dual)	
H		0 - 600 psig/bar (dual)	
J		0 - 1000 psi/bar (dual)	
N		None	
Z		Non-Standard	

16		SEP Compliance	
0		None	
G		SEP Compliant	
Z		Non-Standard	

17		Accessories	
0		None	
S		Clean for Oil Free	
X		Clean for Oxygen	
Z		Non-Standard	